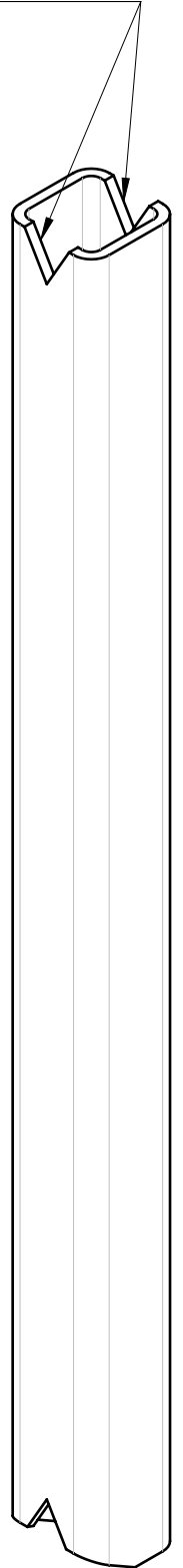
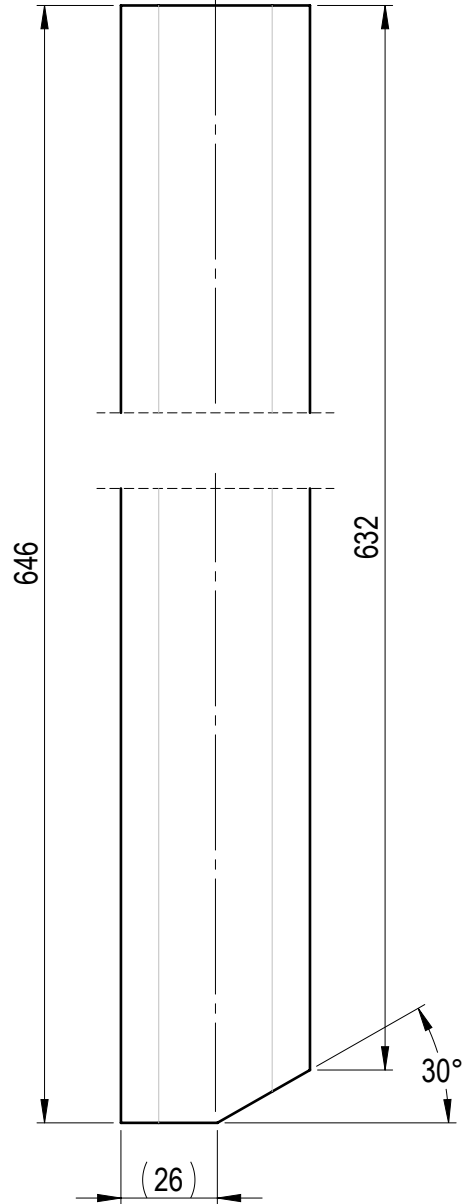
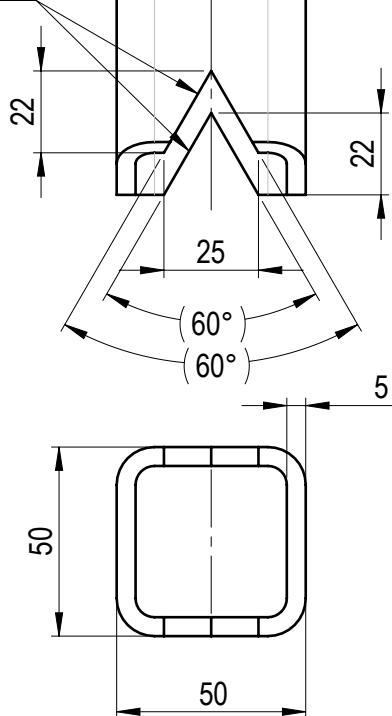


Triangle cut-out for HDG.  
Must go through tube walls!



Triangle cut-out  
for HDG



Cut-outs may be made using hand tools

RAW MATERIAL INFORMATION	
Profile size	SHS 50x50x5.0
Length, mm	646

	MATERIAL	WEIGHT	DEBURR AND BREAK SHARP EDGES DO NOT SCALE DRAWING		REVISION	DATE	
	S355J2	4.140 Kg				04.06.2025	
	SURFACE PROTECTION	MACHINING	THERMAL CUTTING	WELDING	SCALE	FORMAT	
	-	ISO 2768 mK	ISO 9013 221	ISO 13920 BF	1:2	A4	
	NAME	SIGNATURE	PART NO.				
Designed by	D. Dislers		105-09223-01				
Drawn by	E. Kriviss		DESCRIPTION			SHEET 1/1	
Technical ref.			Vertical tube 3				